

## Type JP172 Channel Anchor

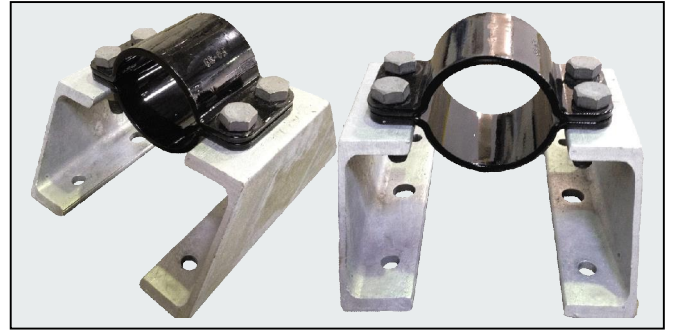
### Specification

Compact pipe anchor consisting of a 2 part fixed point clamp complete with variable High Corrosion Protected carbon steel channel profile. Plastic coated Carbon Steel and Stainless Steel anchor clamps are available for use with Copper and Stainless Steel pipework

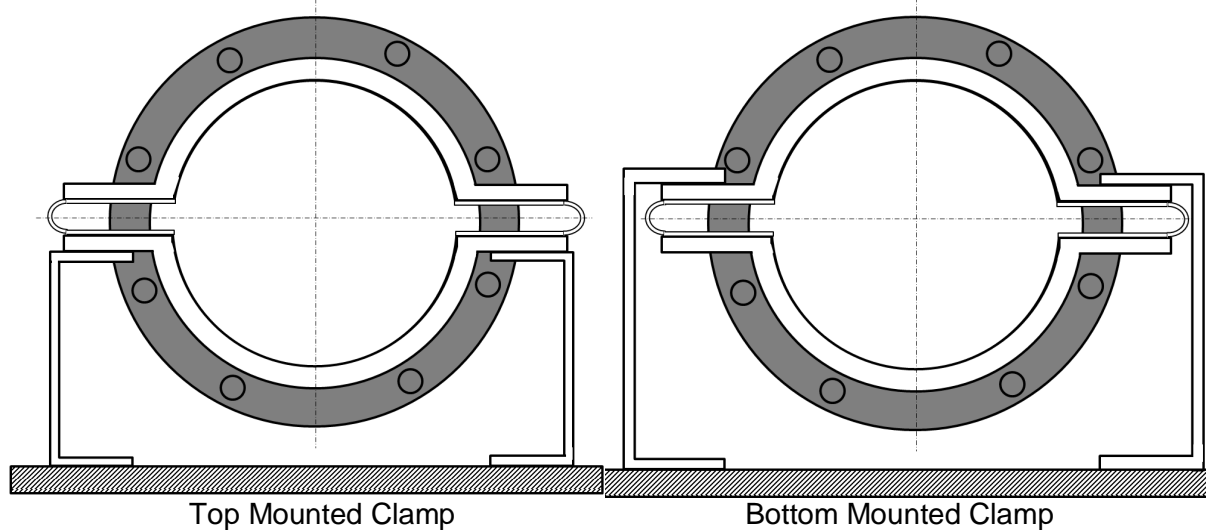
### Application

For use in situations where up to a 35kN load rating is required, but the articulated legs of a JP170 cannot be accommodated.

The centreline distances to the slab are fixed and cannot be adjusted on site unless our Packer Plates are used. Please see the following tables for further details.



Stourflex JP172 Channel Anchors can have their clamp mounted on top of the channel or bottom, see tables for dimensions.



### Packer Plates

To adjust the centreline heights of Stourflex JP172 Channel Anchors, correctly dimensioned packer plates may be used, please see the table below for details and part numbers. Ideally no more than 2 packers should be stacked on top of each other in any one position.

Thickness (mm)	Packer Plate 250 x 50	Packer Plate 250 x 65	Packer Plate 250 x 75
2	JP172-PP502	JP172-PP652	JP172-PP752
3	JP172-PP503	JP172-PP653	JP172-PP753
4	JP172-PP504	JP172-PP654	JP172-PP754
5	JP172-PP505	JP172-PP655	JP172-PP755
8	JP172-PP508	JP172-PP658	JP172-PP758
10	JP172-PP5010	JP172-PP6510	JP172-PP7510
12	JP172-PP5012	JP172-PP6512	JP172-PP7512

The above codes are for 1 packer, each anchor point requires 2 packers.

Stourflex strongly advise that anyone installing the JP172 (or indeed any anchor) into a riser application have a flange, lug or similar welded onto the pipe to help prevent the anchor slipping.

When accommodating thermal expansion in risers, always consider the effect of the thermal movement on any branch connections, particularly in instances where these branches quickly penetrate fire-stopped walls. Additional steps may be required to protect these branches if insufficient flexibility can be accommodated by the branch prior to penetrating the fire-stopped wall.

Stourflex have a range of anchoring solutions available, please contact us for more information.

Please note Stourflex JP172 Channel Anchors are manufactured to order and therefore cannot be returned for credit.

Stourflex suspended pipe anchors should be installed in accordance with our fitting instructions a copy of which is supplied with each anchor.

## Carbon Steel Pipe

Part Number With BZP Clamp	Carbon Steel Pipe NB	Maximum Load (kN)	Channel Size	Centreline To Slab Top Mounted Clamp (mm)	Centreline To Slab Bottom Mounted Clamp (mm)
JP172-A-015	½+- 15mm	3.0	100/50	108	83
JP172-B-015			126/65	133	107
JP172-C-015			150/75	158	131
JP172-D-015			180/75	188	161
JP172-E-015			200/75	208	179
JP172-A-020	¾+- 20mm	3.0	100/50	108	83
JP172-B-020			126/65	133	107
JP172-C-020			150/75	158	131
JP172-D-020			180/75	188	161
JP172-E-020			200/75	208	179
JP172-A-025	1+- 25mm	3.0	100/50	108	83
JP172-B-025			126/65	133	107
JP172-C-025			150/75	158	131
JP172-D-025			180/75	188	161
JP172-E-025			200/75	208	179
JP172-A-032	1 ¼+- 32mm	9.0	100/50	108	83
JP172-B-032			126/65	133	107
JP172-C-032			150/75	158	131
JP172-D-032			180/75	188	161
JP172-E-032			200/75	208	179
JP172-A-040	1 ½+- 40mm	9.0	100/50	108	83
JP172-B-040			126/65	133	107
JP172-C-040			150/75	158	131
JP172-D-040			180/75	188	161
JP172-E-040			200/75	208	179
JP172-A-050	2+- 50mm	35.0	100/50	110	81
JP172-B-050			126/65	135	105
JP172-C-050			150/75	160	129
JP172-D-050			180/75	190	159
JP172-E-050			200/75	210	177
JP172-A-065	2 ½+- 65mm	35.0	100/50	110	81
JP172-B-065			126/65	135	105
JP172-C-065			150/75	160	129
JP172-D-065			180/75	190	159
JP172-E-065			200/75	210	177
JP172-A-080	3+- 80mm	35.0	100/50	110	81
JP172-B-080			126/65	135	105
JP172-C-080			150/75	160	129
JP172-D-080			180/75	190	159
JP172-E-080			200/75	210	177
JP172-A-100	4+- 100mm	35.0	100/50	113	79
JP172-B-100			126/65	138	103
JP172-C-100			150/75	163	127
JP172-D-100			180/75	193	157
JP172-E-100			200/75	213	175
JP172-A-125	5+- 125mm	35.0	100/50	113	79
JP172-B-125			126/65	138	103
JP172-C-125			150/75	163	127
JP172-D-125			180/75	193	157
JP172-E-125			200/75	231	175
JP172-A-150	6+- 150mm	35.0	100/50	113	79
JP172-B-150			126/65	138	103
JP172-C-150			150/75	163	127
JP172-D-150			180/75	193	157
JP172-E-150			200/75	213	175
JP172-A-200	8+- 200mm	35.0	100/50	-	-
JP172-B-200			126/65	-	-
JP172-C-200			150/75	163	127
JP172-D-200			180/75	193	157
JP172-E-200			200/75	213	175
JP172-A-250	10+- 250mm	35.0	100/50	-	-
JP172-B-250			126/65	-	-
JP172-C-250			150/75	163	127
JP172-D-250			180/75	193	157
JP172-E-250			200/75	213	175

For Sizes 300mm & Above Please Contact Us For Details

## Copper Pipe

Part Number With Powder Coated Clamp	Copper Pipe OD (mm)	Maximum Load (kN)	Channel Size	Centreline To Slab Top Mounted Clamp (mm)	Centreline To Slab Bottom Mounted Clamp (mm)
*JP172-A-015C *JP172-B-015C *JP172-C-015C *JP172-D-015C *JP172-E-015C	15	3.0	100/50 126/65 150/75 180/75 200/75	108 133 158 188 208	83 107 131 161 179
JP172-A-022C JP172-B-022C JP172-C-022C JP172-D-022C JP172-E-022C	22	3.0	100/50 126/65 150/75 180/75 200/75	108 133 158 188 208	83 107 131 161 179
JP172-A-028C JP172-B-028C JP172-C-028C JP172-D-028C JP172-E-028C	28	3.0	100/50 126/65 150/75 180/75 200/75	108 133 158 188 208	83 107 131 161 179
JP172-A-035C JP172-B-035C JP172-C-035C JP172-D-035C JP172-E-035C	35	3.0	100/50 126/65 150/75 180/75 200/75	108 133 158 188 208	83 107 131 161 179
JP172-A-042C JP172-B-042C JP172-C-042C JP172-D-042C JP172-E-042C	42	5.0	100/50 126/65 150/75 180/75 200/75	108 133 158 188 208	83 107 131 161 179
JP172-A-054C JP172-B-054C JP172-C-054C JP172-D-054C JP172-E-054C	54	5.0	100/50 126/65 150/75 180/75 200/75	108 113 158 188 208	83 107 131 161 179
JP172-A-067C JP172-B-067C JP172-C-067C JP172-D-067C JP172-E-067C	67	9.0	100/50 126/65 150/75 180/75 200/75	110 135 160 190 210	81 105 129 159 177
JP172-A-076C JP172-B-076C JP172-C-076C JP172-D-076C JP172-E-076C	76	9.0	100/50 126/65 150/75 180/75 200/75	110 135 160 190 210	81 105 129 159 177
JP172-A-108C JP172-B-108C JP172-C-108C JP172-D-108C JP172-E-108C	108	9.0	100/50 126/65 150/75 180/75 200/75	113 138 163 193 213	79 103 127 157 175
JP172-A-133C JP172-B-133C JP172-C-133C JP172-D-133C JP172-E-133C	133	24.0	100/50 126/65 150/75 180/75 200/75	113 138 163 193 213	79 103 127 157 175
JP172-A-159C JP172-B-159C JP172-C-159C JP172-D-159C JP172-E-159C	159	24.0	100/50 126/65 150/75 180/75 200/75	113 138 163 193 213	79 103 127 157 175

\*JP172 15mm Copper Size only can be a long lead time item.

## Stainless Steel TruBore

Part Number With Powder Coated Clamp	Stainless Steel Pipe OD (mm)	Maximum Load (kN)	Channel Size	Centreline To Slab Top Mounted Clamp (mm)	Centreline To Slab Bottom Mounted Clamp (mm)
*JP172-A-018S *JP172-B-018S *JP172-C-018S *JP172-D-018S *JP172-E-018S	18	3.0	100/50 126/65 150/75 180/75 200/75	108 133 158 188 208	83 107 131 161 179
JP172-A-023S JP172-B-023S JP172-C-023S JP172-D-023S JP172-E-023S	23	3.0	100/50 126/65 150/75 180/75 200/75	108 133 158 188 208	83 107 131 161 179
JP172-A-028S JP172-B-028S JP172-C-028S JP172-D-028S JP172-E-028S	28	3.0	100/50 126/65 150/75 180/75 200/75	108 133 158 188 208	83 107 131 161 179
JP172-A-035S JP172-B-035S JP172-C-035S JP172-D-035S JP172-E-035S	35	3.0	100/50 126/65 150/75 180/75 200/75	108 133 158 188 208	83 107 131 161 179
JP172-A-043S JP172-B-043S JP172-C-043S JP172-D-043S JP172-E-043S	43	5.0	100/50 126/65 150/75 180/75 200/75	108 133 158 188 208	83 107 131 161 179
JP172-A-054S JP172-B-054S JP172-C-054S JP172-D-054S JP172-E-054S	54	5.0	100/50 126/65 150/75 180/75 200/75	108 113 158 188 208	83 107 131 161 179
JP172-A-068S JP172-B-068S JP172-C-068S JP172-D-068S JP172-E-068S	68	9.0	100/50 126/65 150/75 180/75 200/75	110 135 160 190 210	81 105 129 159 177
JP172-A-084S JP172-B-084S JP172-C-084S JP172-D-084S JP172-E-084S	84	9.0	100/50 126/65 150/75 180/75 200/75	110 135 160 190 210	81 105 129 159 177
JP172-A-104S JP172-B-104S JP172-C-104S JP172-D-104S JP172-E-104S	104	9.0	100/50 126/65 150/75 180/75 200/75	110 135 160 190 210	81 105 129 159 177
JP172-A-129S JP172-B-129S JP172-C-129S JP172-D-129S JP172-E-129S	129	24.0	100/50 126/65 150/75 180/75 200/75	113 138 163 193 213	79 103 127 157 175
JP172-A-154S JP172-B-154S JP172-C-154S JP172-D-154S JP172-E-154S	154	24.0	100/50 126/65 150/75 180/75 200/75	113 138 163 193 213	79 103 127 157 175
JP172-A-204S JP172-B-204S JP172-C-204S JP172-D-204S JP172-E-204S	204	24.0	100/50 126/65 150/75 180/75 200/75	- - 163 193 213	- - 127 157 175

\*JP172 18mm Copper Size only can be a long lead time item.