



STOURFLEX

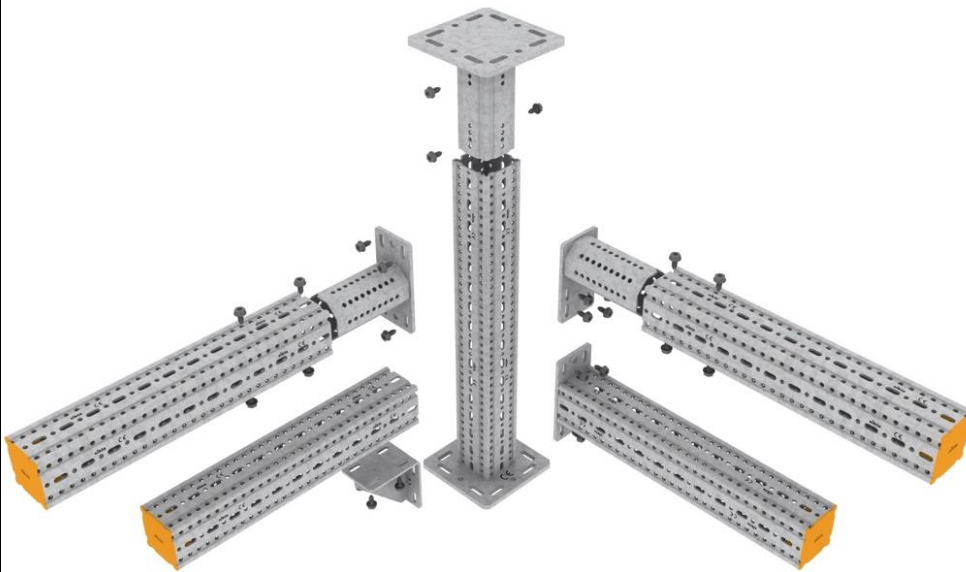
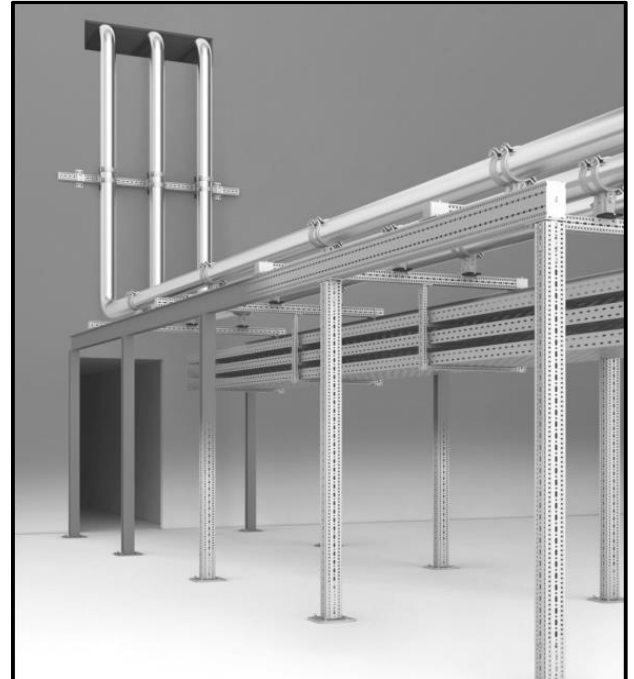
Technically Advanced Flexible Solutions

J&P Supplies Ltd
Junction Road, Audnam,
Stourbridge, West Midlands,
DY8 4YH
Tel: 01384 393329
Fax: 01384 440212
www.stourflex.co.uk

Stourflex Framo

Specification High corrosion protected modular steel framing

Application Multi-function beam profile for horizontal, vertical and 3-D support structures in a wide variety of building services and industrial applications. In addition to the high torsional resistance achieved using a totally closed profile, structural elements and pipe supports can be attached on all 4 sides with virtually no placement restrictions. Specifically designed fixing holes combined with special FLS self-tapping screws ensure precise component placement and secure form-locked fixings.



Benefits of using Framo

- All parts are reusable without wastage.
- All components are reusable after disassembly.
- Modifications can be made quickly on site with no loss of time, cut-outs or re-works.
- Strong but lightweight, cutting down the total tonnage of steel required for the project.
- One thread forming screw for all component connections (see next page for details).
- Non welded, no need for hot works.
- Easily demonstrable time savings over traditional steelwork (see table below).
- Compatible with other installation systems.
- High corrosion resistance as standard, C5 coatings available on request.
- Compatible with the complete range of Stourflex pipework anchors and expansion joint guides.

Installation time Framo:

Cutting section: 5 min

Assembly: 15 min

Coating: 0 min

Total time: 20 min

Installation time traditional steel:

Cutting section: 10 min

Assembly: 45 min

Coating: 10 min

Total time: 65 min



STOURFLEX

Technically Advanced Flexible Solutions

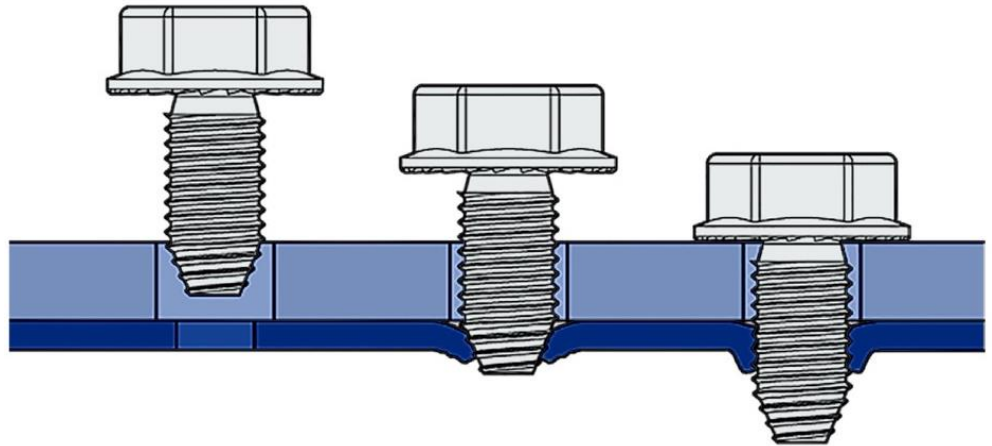
J&P Supplies Ltd
Junction Road, Audnam,
Stourbridge, West Midlands,
DY8 4YH
Tel: 01384 393329
Fax: 01384 440212
www.stourflex.co.uk

Framo is assembled via thread forming screws.

The non-cutting cold formed threads of the screw form their own threads in to the pilot holes of the perforated Framo profiles.

The low thread-forming torque and resulting high clamping force, offer a superior process-reliable shake-proof fastening.

The thread forming screws are removable and can be used again.



Whether you are supporting a chiller ...



... Stacking high density cabling ...



... Holding up a header ...



... Promoting a car ...



... Carrying large numbers of large pipes...



o Framo has the strength and flexibility to provide you with a solution that can save you time and money compared to traditional steel secondary supports.