



STOURFLEX®

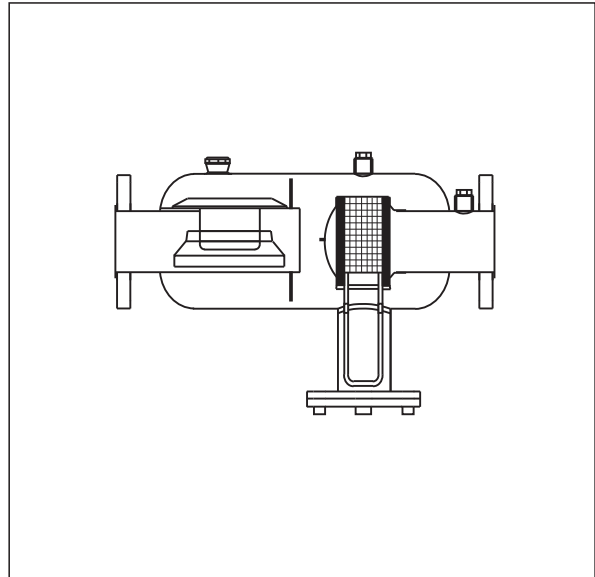
J & P Supplies Ltd

Expansion Joints & Pipeline Equipment

Type JP504 Air and Dirt Separator with Built in Strainer Flanged.

Specification Micro Bubble Air Separator with built in strainer manufactured from corrosion resistant 316L stainless steel fitted with silumin swivel flanges drilled to BS4504 NP10.

Application Stourflex Nonair micro bubble separator with new built in world patented strainers are designed to remove both air and dirt from circulating heating and chilled water systems. Air is vented automatically from the top of the unit. Floating particles will be trapped in the strainer. Dirt, sludge and solid particles are collected in the sediment chamber and drained manually from the valve fitted on the base.



Maximum working temperature 110°C.
Maximum working pressure 10 Bar.
Maximum test pressure = 1.5 x working pressure.



Certificate No: 0902069

For efficient air and dirt removal separators should be line size.

Part Number	N.B. (mm)	Installed Length (mm)	Body Diameter Excluding Air Vent (mm)	Height of Sediment Chamber (mm)	Clearance to remove strainer insert (mm)	Dry Weight (Kg)	Volume (Litre)	Air Vent Connections		Drain Connection Size (")
								No	Size (")	
JP504-50	50	455	129	92	250	6	4	1	½	½
JP504-65	65	525	154	92	270	8	7	1	½	½
JP504-80	80	585	168	92	285	12	9	1	½	½
JP504-100	100	670	204	112	360	17	15	1	½	½
JP504-125	125	755	256	112	395	23	28	2	½	½
JP504-150	150	855	306	112	440	36	46	2	½	½

Stainless Steel Automatic Air Vents, Shut Off Valves and Pressure Gauges are available for the Stourflex Nonair Type JP504 air separators with built in strainer.

Weld and Grooved ends, alternative flange drillings and materials available upon request.

Please refer to guidance notes for the correct use and installation of Stourflex Nonair Separators.

Installed lengths may vary, if an exact installation length is required please check at time of order.