



STOURFLEX®

J & P Supplies Ltd

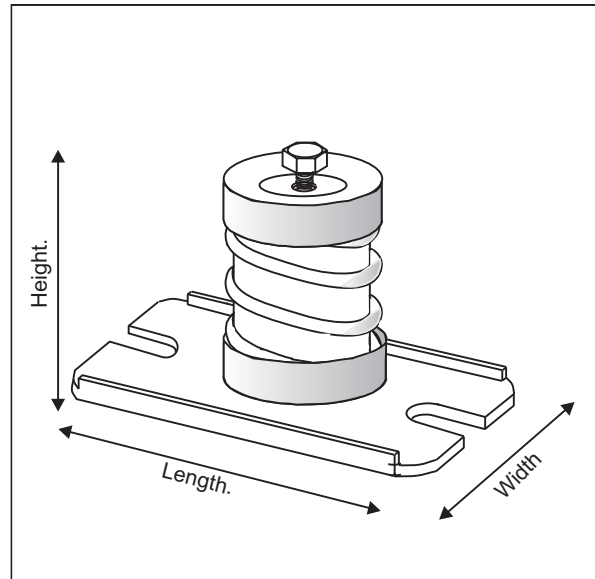
Expansion Joints & Pipeline Equipment

Type JP 361 Open Spring Mount.

Specification Open spring mount consisting of helical steel spring held between pressed steel caps bonded with visco-elastic resin. Top cap fitted with fixing / levelling bolt. Complete with zinc passivated bottom cap and base plate fitted with foam rubber anti-skid pad.

Application Stourflex open spring mounts are designed to reduce noise and vibration on pumps, fans, chillers, air handling equipment and other small items of machinery.

The **Type JP 361** open spring mounts can be used with Stourflex **Type JP 360** Inertia bases when required.



| Part Number. | Maximum Load at 15mm Deflection. (Kg) | Maximum Load at 25mm Deflection. (Kg) | Length. (mm) | Width. (mm) | Height. (mm) | Fixing Levelling Bolt Size. (mm) |
|--------------|---------------------------------------|---------------------------------------|--------------|-------------|--------------|----------------------------------|
| JP361 - 50 | 30 | 50 | 106 | 63 | 75 | M8 |
| JP361 - 100 | 60 | 100 | 106 | 63 | 75 | M8 |
| JP361 - 125 | 80 | 125 | 106 | 63 | 75 | M8 |

| Part Number. | Maximum Load at 25mm Deflection. (Kg) | Maximum Load at 35mm Deflection. (Kg) | Length. (mm) | Width. (mm) | Height. (mm) | Fixing Levelling Bolt Size. (mm) |
|--------------|---------------------------------------|---------------------------------------|--------------|-------------|--------------|----------------------------------|
| JP361 - 150 | 100 | 150 | 128 | 86 | 115 | M12 |
| JP361 - 200 | 150 | 200 | 128 | 86 | 115 | M12 |
| JP361 - 250 | 175 | 250 | 128 | 86 | 115 | M12 |
| JP361 - 350 | 250 | 350 | 128 | 86 | 115 | M12 |
| JP361 - 450 | 325 | 450 | 128 | 86 | 115 | M12 |

Where higher load ratings or greater deflections are required non standard variations of the **Type JP 361** open spring mounts are available on request.

Where an enclosed spring mount is required the **Type JP 362** should be selected.

Stourflex open spring mounts should be sized and positioned to equally distribute and balance the load and deflection on the item of plant or equipment requiring isolation.

Stourflex products should be installed in accordance with our fitting instructions.