



STOURFLEX®

J & P Supplies Ltd

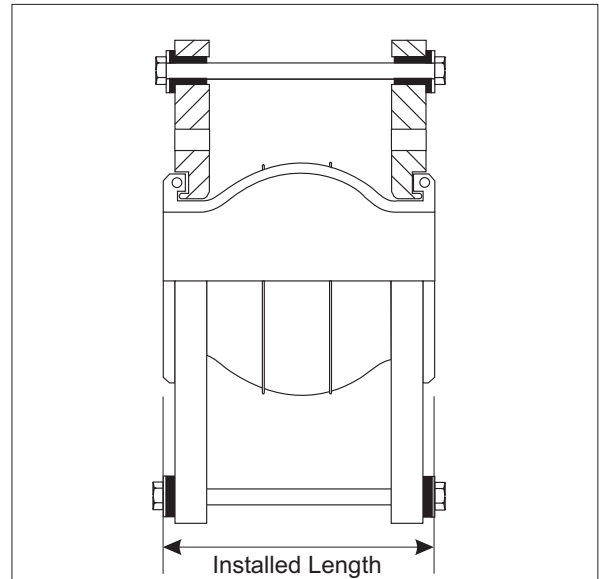
Expansion Joints & Pipeline Equipment

Type JP10 Tied Rubber Bellows. Oil Service. (Yellow)

Specification Tied Nitrile rubber bellows, with nylon reinforced body and steel reinforced collar. Fitted with zinc plated carbon steel oval flanges complete with fully threaded tie bars and rubber top hat washers. Drilled to BS. 4504 NP16.

Application Stourflex tied rubber bellows are designed to accommodate misalignment and lateral movement. They are also used to reduce noise and vibration from pumps and reciprocating machinery. The tie bar assembly will prevent pressure thrust and stress being transmitted onto pumps and associated pipework. They are suitable for fuel oil, diesel and petroleum applications.

Maximum working temperature 60°C.
 Maximum working pressure 16 bar.
 Sizes 32mm - 300mm
 Maximum Working Pressure 6 bar
 Sizes 350mm - 400mm
 Stourflex rubber bellows should not be used at both their maximum working temperature and pressure respectively.
 Maximum test pressure = 1.5 x working pressure or 1.5 x flange rating, whichever the lower.



Part Number.	N.B. (mm)	Installed Length. (mm)	Tie bars.	Lateral Movement. (mm)
JP10-32-16	32	130 / 150	2	13
JP10-40-16	40	130 / 150	2	13
JP10-50-16	50	130 / 150	2	13
JP10-65-16	65	130 / 150	2	13
JP10-80-16	80	130 / 150	2	13
JP10-100-16	100	130 / 150	2	13
JP10-125-16	125	130 / 150	2	13
JP10-150-16	150	130 / 150	2	13
JP10-200-16	200	130 / 205	2	13
JP10-250-16	250	130 / 205	2	13
JP10-300-16	300	130 / 205	4	13
JP10-350-16	350	205	4	13
JP10-400-16	400	205	4	13

Where vacuum conditions or pressures and temperatures above those stated exist, please check with us the suitability of and effects on service life of Stourflex products.

Alternative flange drillings and materials are available on request.

Stourflex products should be installed in accordance with our fitting instructions.

Stourflex rubber bellows should be periodically inspected and replaced if any deterioration is evident.