



# STOURFLEX®

J & P Supplies Ltd

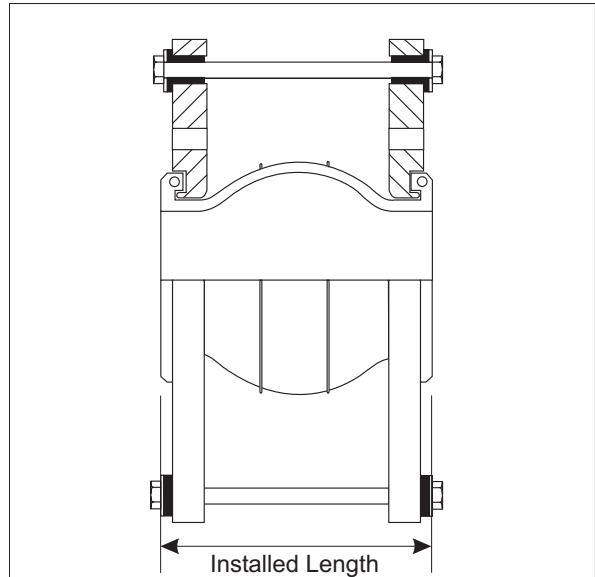
Expansion Joints & Pipeline Equipment

## Type JP08 Tied Rubber Bellows. Food Quality ( White. )

**Specification** Tied rubber bellows consisting of nitrile liner and neoprene cover with nylon reinforced body and steel reinforced collar. Fitted with zinc plated carbon steel oval flanges complete with fully threaded tie bars and rubber top hat washers. Drilled to BS 4504

**Application** Stourflex tied rubber bellows are designed to accommodate misalignment and lateral movement. They are also used to reduce noise and vibration from pumps and reciprocating machinery. The taste and odour free rubber used in the construction of the **Type JP08** enables this bellows to be used for drinking water and food and beverage production.

Maximum working temperature 85°C.  
 Maximum working pressure 16 Bar.  
 Stourflex rubber bellows should not be used at both their maximum working temperature and pressure respectively.  
 Maximum test pressure = 1.5 x working pressure or 1.5 x flange rating, whichever the lower.



Part Number.	N.B. (mm)	Tie Bars	Installed Length. (mm)	Movement. Lateral (mm)	Pressure.		
					Working Pressure. up to 50°C (bar)	Vacuum.	
						Without Support Ring (mm Hg)	With Support Ring (mm Hg)
JP08-32-16	32	2	130	20	16	500	750
JP08-40-16	40	2	130	20	16	500	750
JP08-50-16	50	2	130	20	16	500	750
JP08-65-16	65	2	130	20	16	350	750
JP08-80-16	80	2	130	20	16	350	750
JP08-100-16	100	2	130	20	16	350	750
JP08-125-16	125	2	130	20	16	200	600
JP08-150-16	150	2	130	20	16	200	600
JP08-200-16	200	4	130	20	16	200	600
JP08-250-16	250	4	130	20	16	100	600
JP08-300-16	300	4	130	20	16	100	600

Vacuum support ring fitted on request.

Sizes above 300mm N.B. are available on request.

Where vacuum conditions or pressures and temperatures above those stated exist, please check with us the suitability of and effects on service life of Stourflex products.

Alternative flange drillings and materials are available on request.

Stourflex products should be installed in accordance with our fitting instructions.

Stourflex rubber bellows should be periodically inspected and replaced if any deterioration is evident.