



STOURFLEX®

J & P Supplies Ltd

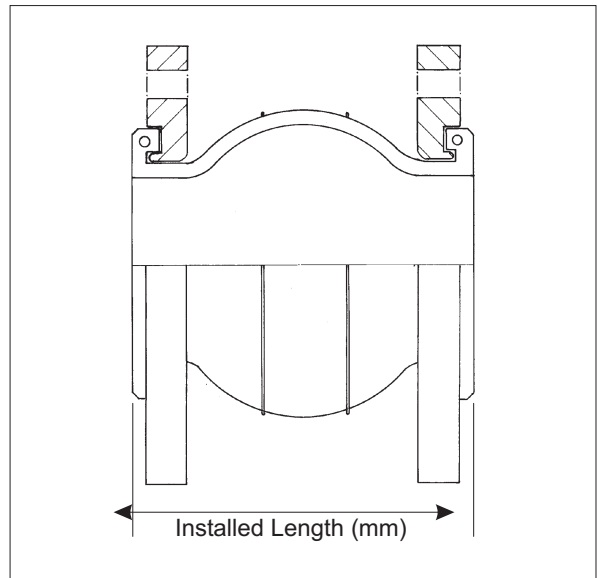
Expansion Joints & Pipeline Equipment

Type JP07 Untied Rubber Bellows. Food Quality (White.)

Specification Untied rubber bellows consisting of nitrile liner and neoprene cover with nylon reinforced body and steel reinforced collar. Fitted with zinc plated carbon steel swivel flanges drilled to BS. 4504 NP16.

Application Stourflex untied rubber bellows are designed to accommodate misalignment and both axial and lateral movement. They are also used to reduce noise and vibration from pumps and reciprocating machinery. The taste and odour free rubber used in the construction of the **Type JP07** enables this bellows to be used for drinking water, food and beverage production.

Maximum working temperature 85°C.
 Maximum working pressure 16 Bar.
 Stourflex rubber bellows should not be used at both their maximum working temperature and pressure respectively.
 Maximum test pressure = 1.5 x working pressure or 1.5 x flange rating, whichever the lower.



Part Number.	N.B. (mm)	Installed Length. (mm)	Movement.				Pressure.		
			Compression (mm)	Extension (mm)	Lateral (mm)	Angular	Working Pressure. up to 50°C (bar)	Vacuum.	
								Without Support Ring (mm Hg)	With Support Ring (mm Hg)
JP07-32-16	32	130	30	20	20	35°	16	500	750
JP07-40-16	40	130	30	20	20	35°	16	500	750
JP07-50-16	50	130	30	20	20	35°	16	500	750
JP07-65-16	65	130	30	20	20	30°	16	350	750
JP07-80-16	80	130	30	20	20	30°	16	350	750
JP07-100-16	100	130	30	20	20	25°	16	350	750
JP07-125-16	125	130	30	20	20	25°	16	200	600
JP07-150-16	150	130	30	20	20	15°	16	200	600
JP07-200-16	200	130	30	20	20	15°	16	200	600
JP07-250-16	250	130	30	20	20	10°	16	100	600
JP07-300-16	300	130	30	20	20	10°	16	100	600

Vacuum support ring fitted on request.

Sizes above 300mm N.B. are available on request.

Where vacuum conditions or pressures and temperatures above those stated exist, please check with us the suitability of and effects on service life of Stourflex products.

Alternative flange drillings and materials are available on request.

Stourflex products should be installed in accordance with our fitting instructions.

Stourflex rubber bellows should be periodically inspected and replaced if any deterioration is evident.