



STOURFLEX®

J & P Supplies Ltd

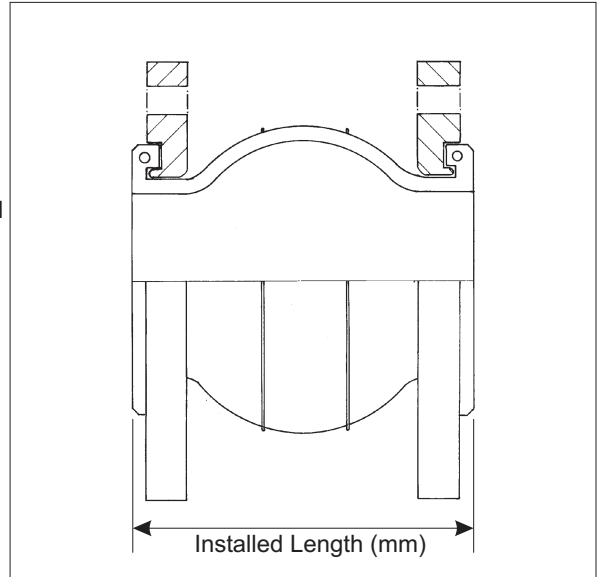
Expansion Joints & Pipeline Equipment

Type JP03 Untied Rubber Bellows.

Specification Untied E.P.D.M. rubber bellows with nylon reinforced body and steel reinforced collar. Fitted with zinc plated carbon steel swivel flanges drilled to BS. 4504 NP16.

Application Stourflex untied rubber bellows are designed to accommodate misalignment and both axial and lateral movement. They are also used to reduce noise and vibration from pumps and reciprocating machinery. They are suitable for chilled water and L.T.H.W. systems.

Maximum working temperature 82°C.
 Maximum working pressure 16 Bar
 Sizes 32mm to 300mm
 Maximum working pressure 6 Bar
 Sizes 350mm to 600mm
 Stourflex rubber bellows should not be used at both their maximum working temperature and pressure respectively.
 Maximum test pressure = 1.5 x working pressure or 1.5 x flange rating, whichever the lower.



| Part Number. | N.B. (mm) | Installed Length.(mm) | Movement. | | | |
|--------------|-----------|-----------------------|------------------|----------------|--------------|---------|
| | | | Compression (mm) | Extension (mm) | Lateral (mm) | Angular |
| JP03-32-16 | 32 | 95 / 150 | 8 | 4 | 8 | 15° |
| JP03-40-16 | 40 | 95 / 150 | 8 | 4 | 8 | 15° |
| JP03-50-16 | 50 | 105 / 150 | 8 | 5 | 8 | 15° |
| JP03-65-16 | 65 | 115 / 150 | 8 | 6 | 8 | 15° |
| JP03-80-16 | 80 | 150 | 13 | 9 | 13 | 15° |
| JP03-100-16 | 100 | 150 | 13 | 9 | 13 | 15° |
| JP03-125-16 | 125 | 150 / 170 | 13 | 9 | 13 | 15° |
| JP03-150a-16 | 150 | 150 | 13 | 9 | 13 | 15° |
| JP03-150b-16 | 150 | 180 | 18 | 9 | 13 | 15° |
| JP03-200-16 | 200 | 150 / 205 | 25 | 15 | 19 | 15° |
| JP03-250-16 | 250 | 205 | 25 | 15 | 19 | 15° |
| JP03-300-16 | 300 | 205 | 25 | 15 | 19 | 15° |
| JP03-350-16 | 350 | 205 | 25 | 15 | 19 | 15° |
| JP03-400-16 | 400 | 205 | 25 | 15 | 19 | 15° |
| JP03-450-16 | 450 | 205 | 25 | 15 | 19 | 15° |
| JP03-500-16 | 500 | 205 | 25 | 15 | 19 | 15° |
| JP03-600-16 | 600 | 254 | 25 | 15 | 19 | 15° |

Alternative flange drillings and materials are available on request.

Stourflex products should be installed in accordance with our fitting instructions.

Stourflex rubber bellows should be periodically inspected and replaced if any deterioration is evident.