



STOURFLEX®

J & P Supplies Ltd

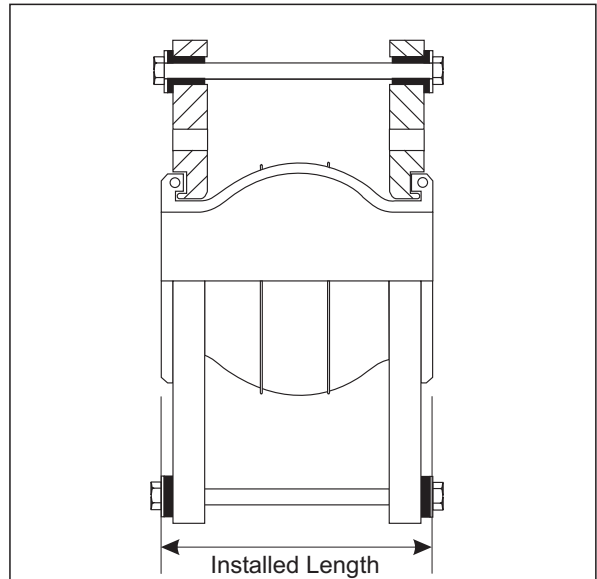
Expansion Joints & Pipeline Equipment

Type JP02 Tied Rubber Bellows.

Specification Tied E.P.D.M. rubber bellows with nylon reinforced body and steel reinforced collar. Fitted with zinc plated carbon steel oval flanges complete with fully threaded tie bars and rubber top hat washers. Drilled to BS. 4504 NP16.

Application Stourflex tied rubber bellows are designed to accommodate misalignment and lateral movement. They are also used to reduce noise and vibration from pumps and reciprocating machinery. The tie bar assembly will prevent pressure thrust and stress being transmitted onto pumps and associated pipework. They are suitable for chilled water and L.T.H.W. systems.

Maximum working temperature 82°C.
 Maximum working pressure 16 bar.
 Stourflex rubber bellows should not be used at both their maximum working temperature and pressure respectively.
 Maximum test pressure = 1.5 x working pressure or 1.5 x flange rating, whichever the lower.



Part Number.	N.B. (mm)	Installed Length. (mm)	Tie bars.	Lateral Movement. (mm)
JP02-32-16	32	130	2	13
JP02-40-16	40	130	2	13
JP02-50-16	50	130	2	13
JP02-65-16	65	130	2	13
JP02-80-16	80	130	2	13
JP02-100-16	100	130	2	13
JP02-125-16	125	130	2	13
JP02-150-16	150	130	2	13
JP02-200-16	200	130	2	13
JP02-250-16	250	130	2	13
JP02-300-16	300	130	4	13

For sizes above 300mm N.B. please refer to the JP04 tied rubber bellows.

Where vacuum conditions or pressures and temperatures above those stated exist, please check with us the suitability of and effects on service life of Stourflex products.

Alternative flange drillings and materials are available on request.

Stourflex products should be installed in accordance with our fitting instructions.

Stourflex rubber bellows should be periodically inspected and replaced if any deterioration is evident.