



# STOURFLEX®

J & P Supplies Ltd

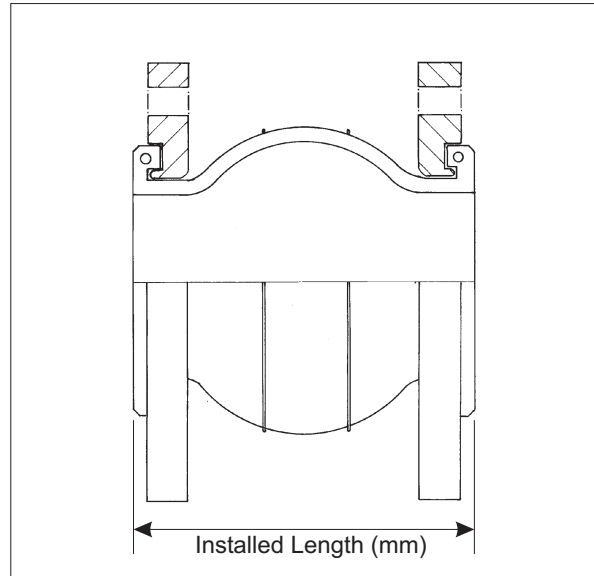
Expansion Joints & Pipeline Equipment

## Type JP01 Untied Rubber Bellows.

**Specification** Untied E.P.D.M. rubber bellows with nylon reinforced body and steel reinforced collar. Fitted with zinc plated carbon steel swivel flanges drilled to BS. 4504 NP16.

**Application** Stourflex untied rubber bellows are designed to accommodate misalignment and both axial and lateral movement. They are also used to reduce noise and vibration from pumps and reciprocating machinery. They are suitable for chilled water and L.T.H.W. systems.

Maximum working temperature 82°C.  
 Maximum working pressure 16 Bar.  
 Stourflex rubber bellows should not be used at both their maximum working temperature and pressure respectively.  
 Maximum test pressure = 1.5 x working pressure or 1.5 x flange rating, whichever the lower.



Part Number	N.B. (mm)	Installed Length (mm)	Movement.			
			Compression. (mm)	Extension. (mm)	Lateral. (mm)	Angular.
JP01-32-16	32	130	13	9	13	15°
JP01-40-16	40	130	13	9	13	15°
JP01-50-16	50	130	13	9	13	15°
JP01-65-16	65	130	13	9	13	15°
JP01-80-16	80	130	13	9	13	15°
JP01-100-16	100	130	13	9	13	15°
JP01-125-16	125	130	13	9	13	15°
JP01-150-16	150	130	13	9	13	15°
JP01-200-16	200	130	13	9	13	15°
JP01-250-16	250	130	13	9	13	15°
JP01-300-16	300	130	13	9	13	15°

For sizes above 300mm N.B. please refer to the JP03 untied rubber bellows.

Where vacuum conditions or pressures and temperatures above those stated exist, please check with us the suitability of and effects on service life of Stourflex products.

Alternative flange drillings and materials are available on request.

Stourflex products should be installed in accordance with our fitting instructions.

Stourflex rubber bellows should be periodically inspected and replaced if any deterioration is evident.